

 **Coolking**
UPVC WINDOWS & DOORS

Coolking Decorators

Regd Office :

Mahesh Towers, 3rd Floor, 215/4, Linga Gounder Street,
Odakkadu, Tirupur - 641 602. Off : 0421 - 4333408 / 409

Showroom :

S.S Plaza, Kanakkampalayam Pirivu, P.N Road,
Tirupur - 641 666. Phone : 0421 - 6610744

Channel Partner:-



Coolking

UPVC WINDOWS & DOORS



-The option of next generation -

info@coolking.org

www.coolking.org

-The option of next generation -

Advantages & Qualities of Using Coolking UPVC and Door Systems

Weather Resistance

More than other building material, COOLKING UPVC window and doors excellent material properties even after many years in use. As a matter of fact, they do not alter under extreme temperature or weathering.

High Security

High-stability window and door profiles made of us COOLKING UPVC offer the best solution for increased safety. Special fitting glazing, qualified window fabrication and expert installation offer an enhanced security at various levels.

Maintenance Free

COOLKING UPVC window and door systems do not require regular repainting and expensive maintenance. They do not rot, warp norcorrode even in tropicaland salty coastal climates. Therefore, their maintenance is reduced to simple cleaning and does not involve any further costs.

High Sound Insulation

The protection against noise is an essential characteristic of a modern window in order to ensure a comfortable life both at home and in the office.

Efficient Thermal Insulation

No matter in which climate windows and doors are installed-they contribute to a cosy and comfortable atmosphere in your home. As the design prevents thermal bridging, the thermal insulating performance of the finished window is exceptionally good.

Termite Resistance

In tropical climates wooden windows and doors are often destroyed by termites, whereas COOLKING UPVC window and door systems are fully resistance to these insects. Thanks to the highly developed compound of COOLKING UPVC window and doors, termites are not able to attack to COOLKING UPVC profiles.

Behaviour in case of Fire

Fire tests have shown the COOLKING UPVC materials, being naturally flame retardant through tout their product life, will not cause, support or enhance the development of accidental fire. Unlike timber window, the UPVC section donot support combustion and are in fact self-extinguishing.

Maximum Water Tightness

COOLKING UPVC window and door system have been successfully used in swimming-pools, matine and ocean environments without detriment to the surface finish or performance. One of the main assets of window and door systems is their restance to driving rain and their joint tightness.

Material & Structural Performance

The longevity and superior quality of this material has been conclusively proved for almost 40 years. COOLKING UPVC material compound performs to worldwide standards for strength, durability, heat stability, colour retention, and termite resistance.

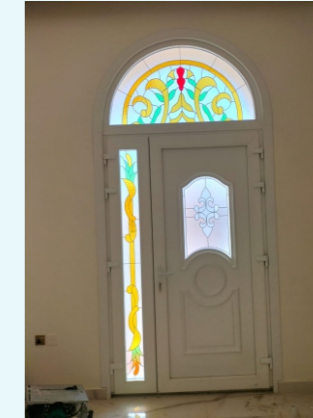
Maximum Wind Resistance

Due to their excellent material properties, COOLKING UPVC window and door systems are ideal for being installed in buildings close to sea where they are permanently exposed to strong wind, heavy rain and salty air.

Warrantee

The window manufacturer shall issue to the client a certificate of warrantee against any manufacturing or installation defect, valid for minimum of five year for rectification to the defect.

OUR PRODUCTS



-The option of next generation -

-The option of next generation -

OUR PRODUCTS



Why COOLKING UPVC is preferred

COOLKING UPVC is considered as the most preferred contemporary window & door material because of its efficient features. These vinyl windows & doors are excellent insulators. They reduce heating & cooling bills by preventing thermal loss through the frame & sash material. It is not affected by the weather or air pollution, salt air, acid rain, industrial pollution, pesticides smog & other air contaminants hence prevent flake, rot, peel, discoloration and structural damage. The traditional window & door framing material like wood, aluminium etc lags behind in comparison with this new age window & door framing material in these fronts. It is both user friendly as well as eco friendly.

-The option of next generation -

-The option of next generation -

S.No.	Description	Wood	Aluminium	Coolking UPVC
1	High impact resistance	NO	NO	YES
2	Unaffected by temperature	NO	NO	YES
3	Corrosion resistance	N/A	N/A	YES
4	Resistance to exhaust fumes and building industry Chemicals	NO	NO	YES
5	Aging resistance	NO	NO	YES
6	Sea Water resistance	NO	NO	YES
7	Protective painting or polishing Required	YES	YES	NO
8	High insulation qualities	YES	YES	YES
9	Good Sound dampening	NO	NO	YES
10	Wind Proof	NO	NO	YES
11	No Condensation or thermal expansion	NO	NO	YES
12	Adaptable to meet architectural requirement	YES	YES	YES
13	Can be formed into aesthetically pleasing shapes	YES	YES	YES
14	Can be used in most varied climatic conditions	YES	YES	YES
15	Qualities and apperance are stable even after years of external use.	NO	NO	YES
16	Ecologically sound as it is practically 100% recyclable	NO	NO	YES

-The option of next generation -



Sound Insulation

It is based on the difference between outside noise and target indoor noise level, with the help of special sound insulation glazing, COOLKING UPVC door and window systems provide a reduction of approximately 35 dB, hence Highly suitable for hospitals, Offices, hotels and other commercial and residential building as they cut unwanted noise.

Excellent Heat Insulation

COOLKING UPVC door and window systems provide market thermal insulation, meaning their thermal conductivity is extremely low, this low thermal conductivity reduces the energy loss that takes place normally through doors and windows.



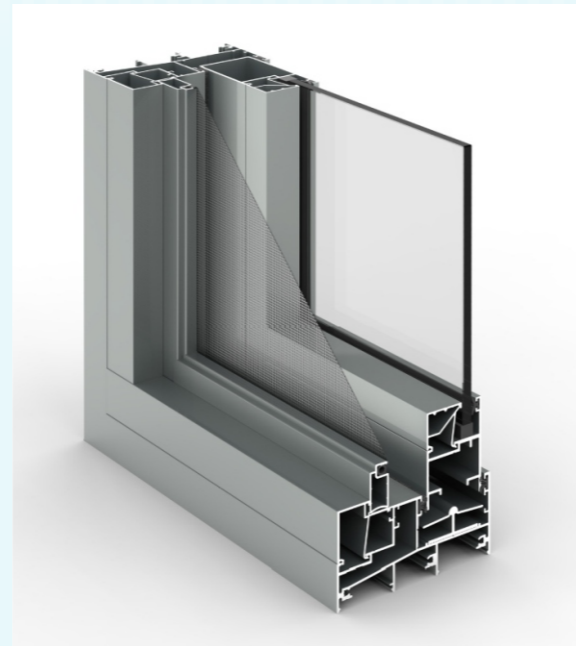
COOLKING UPVC better than the traditional framing materials :

	Wood	Metal	COOLKING UPVC
Efficiency	High maintenance	High maintenance	Low/no maintenance
Thermal Insulation	Poor	Poor	Good
Durability	Low (can rot, warp)	Low (Can twist or rust)	Lasts for lifetime
Eco-friendliness	Leads to deforestation	Uses Large amount of energy during Production	Efficient & conserves energy
Energy Conversation	Good	Poor	Excellent
Weather resistance	Poor	Poor	Excellent
Aesthetic value	Periodic look	Poor	Excellent

-The option of next generation -

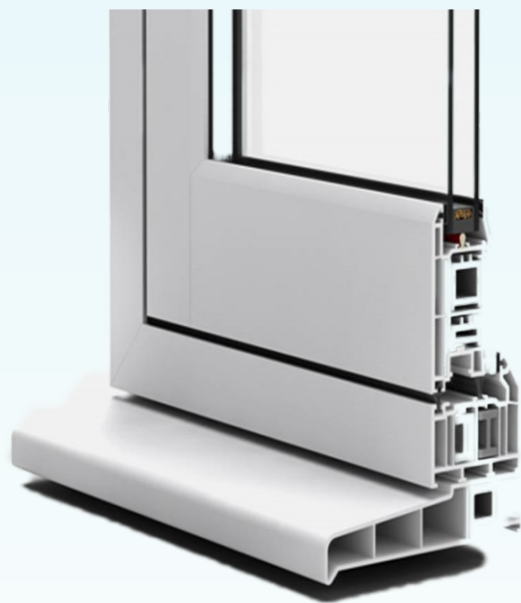
Horizontal Sliding System & Casement System:

- ◆ The Multi Track Adapter enables additional tracks with sliding and fix options to cover large spans.
- ◆ Ride over system ensures that sashes ride easily and prevent dust from setting on the tracks.
- ◆ The bump Stopper cushions the impact of forceful sliding movements.
- ◆ Flush Lock mechanism in windows is push button and easy to operate.
- ◆ Multi point locking mechanism in doors enables complete sealing all across the heights of the pane.
- ◆ Integrated bug screen ensures sliding in either direction. Special clip on option, which can be removed for cleaning.
- ◆ The 3 or Multiple chamber design strengthens heat insulation and sound insulation.
- ◆ Drainage placed at outer side to separate it from other function chambers.
- ◆ Intersecting drainage system with enhanced air and water tightness in addition to a dust proof/effect



Cross-Section of Double Glazed Sliding Window

- ◆ Uniform location features allow for greater flexibility in combining with various couple profiles.
- ◆ Spacious steel chamber to enhance the strength of AIM UPVC windows.
- ◆ Standardized Euro-groove feature allows for easy installation of multi-lock-point transmission and roller Pulley.
- ◆ Special guiding features allow for easy installation of hardware and enhance installation durability.
- ◆ Specially designed bridge feature at intersection between two leafs of doors to improve window tightness of sliding door.
- ◆ Enhances stability with depth of 21 mm for the glazed groove.
- ◆ Interchangeable Glazing beads for single or double glazed installations.
- ◆ Special glazing wedges for easy installation of varied types of glass.
- ◆ A sophisticated technology combining various kinds of profiles ensuring a guaranteed interior glass assembly.
- ◆ Easy to change aluminium track for long service life. Special sash interlocking design and use of pile weather



-The option of next generation -

Heat Efficient

- LOW MAINTENANCE
- SELF EXTINGUISHING
- WATER TIGHTNESS
- AIR TIGHTNESS
- SOUND INSULATION
- MULTI LOCKING

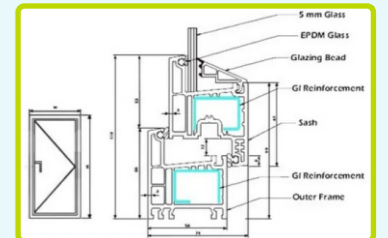
Radiation is the movement of heat as infrared energy through the glass.

Air leakage is the passage of heated air through cracks and around stripping



Conduction is the direct of heat through the window to the indoor.

Convection occurs when air gives up its heat to the cooler glass and sinks towards the floor. This movement sucks new, warmer air towards the glass that is in turn cooled, creating a draft.



Coolking UPVC Profiles



Coolking believes that a 'COOLKING UPVC Revolution' for pristine living is happening in India finally. It is projected that demand for COOLKING UPVC windows will exceed a billion square meters in India within the next decade.

COOLKING UPVC profiles in general profile doors and windows in particular are maintenance free, long life span durability corrosion and weather resistant, excellent fire and sound proof. Being a 'Green product', it is eco-friendly and energy efficient. The precision manufacture and up-scale aesthetic appearances of COOLKING profile doors and windows add value to your building



-The option of next generation -

Technical Specification of COOLKING UPVC

Excellent Heat Insulation & Energy Saving:

The thermal conductivity of COOLKING UPVC profile is 0.13kcal/m² hr C and that is 1/1250 of aluminium which has 175kcal/m²C. Therefore the COOLKING UPVC window can reduce the energy loss by over 30% and a it is proven to be the better energy saver window.

Excellent Sound Proof:

COOLKING UPVC window material and the multichambered designed profile have tight seals, which are the best in noise reduction. An average sound separation of 22-25DB is reached in 6mm glazing and 30 DB in double-glazing.

Low Thermal Expansion:

COOLKING UPVC windows are operated even under any weather condition due to its low coefficient of thermal expansion (3x10⁻³cm/cm).C.

Electricity Insulation:

COOLKING UPVC profile has high electricity insulation which exceed 1015 ohm-cm. It is absolutely safe from electrical conductivity and maintenance free.

Minimum Air Filtration:

Impervious weather stripping provides maximum seal. The experimental value per cracked meter length is 8m³hm³ for sliding window and 2m³/hm² for extinguishing characteristics. According to Zurich Fire Brigade, the COOLKING UPVC profile met the stipulation of the resistant building materials.

Corrosion Resistance:

COOLKING UPVC windows are free from attack of acid, alkali, and waste gases and salt. It is corrosion resistant when used in Saudi Arabian environment with is desert climate and high pollution exposure due to heavy industries. COOLKING UPVC windows have proved to be excellent and most preferred in industrial factories such as breweries, textile and paper mills.

Environment Friendly:

COOLKING UPVC profiles are completely recyclable containing Green line calcium zinc for eco friendliness. The energy used for extrusion process is relatively low when compared to other materials.

Attractive apperance:

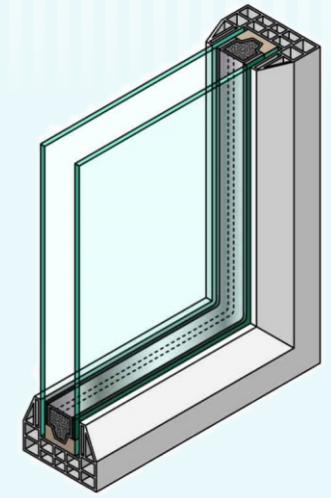
COOLKING UPVC window has smooth surface and added with optimal color combination colored or laminated which gives superior outlook.

-The option of next generation -



Glazing Beads

Glazing beads shall be of the one foot snap in design and shall be extruded AIM UPVC mitred at the corners. All glazing beads shall be with a co-extruded gasket of a multi-fin design to maintain security and weather performance. Gasket material shall be thermo Plasic Elastomer



COOLKING Brand upvc profiles

COOLKING believes that a 'Upvc Revolution' for pristine living is happening in India finally. It is projected that demand for COOLKING UPVC window will exceed a billion square meters in India within the next decade.

COOLKING Upvc profiles in general and COOLKING profile doors and windows in particular are maintenance free, long life span durability corrosion and weather resistant. excellent fire and sound proof. Being a 'Green Product, It is eco friendly and energy efficient. The precision manufacture and up-scale aesthetic appearances of COOLKING profile doors and windows add value to your building

Casement Window series

Excellent insulation and sound proofing:

The air chamber on the outside of the COOLKING UPVC frame blocks heat from outdoors, helping to maintain the internal room temperature. So inside is more comfortable

Casement Window series

Smart finishing and installation:

Glazing bead can be installed either inside or outside according to needs of designer or architect ensuring that, after installation, the inside of the room is more neat,



-The option of next generation -